

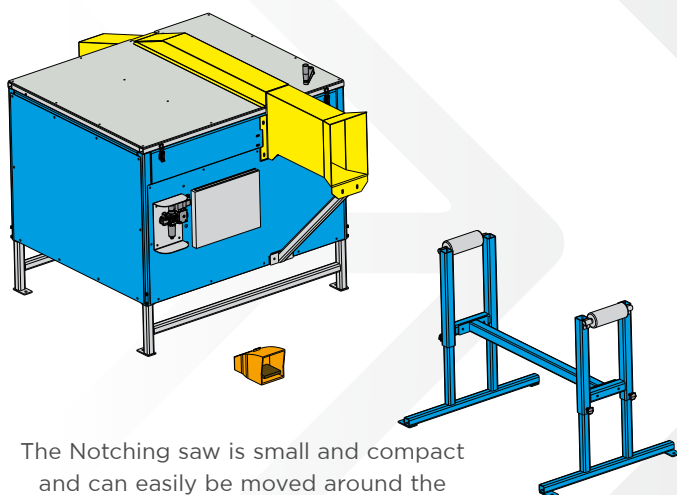
NOTCHING SAW JS400C

NOTCHES FOR LOAD BEARING LINTEL BEAMS

Randek Notching Saw JS400C is an effective tool for manufacturing studs for walls with lintel beams. With lintel beams, roof trusses can be placed anywhere along the wall and no custom reinforcements are needed for wide windows.

The saw uses two carbide saw blades and is operated with a foot pedal. The notching depth is adjusted with a crank between 30-115 mm and the notch length between 10-370 mm.

- Effective manufacturing of notched studs (cycle time approx. 5 sec)
- Easy and compact machine which easily can be moved around in the factory
- Operated with foot pedal



The Notching saw is small and compact and can easily be moved around the factory on a pallet with a pallet truck.

Technical descr.	Min	Max
Stud length	1100 mm + Notch length	-
Stud width	0 mm	270 mm
Stud thickness	30 mm	115 mm
Notch depth	30 mm	115 mm
Notch length	10 mm	370 mm
Saw blade	Ø400 mm & Ø560 mm (Carbide)	
Electrical	3x400VAC 50Hz 20A	
Air supply	7 bar, G1/4"	
Article Number	123141AA	



Stud with notch



Notched studs for a wall with lintel.

RANDEK™

BUILDING THE FUTURE

RANDEK IN BRIEF

Randek develops, manufactures and markets high-performance machines and systems for prefabricated house manufacturing. The product range consist of: cut saws, wall-, floor- and roof lines, roof truss system, butterfly tables and special machines. The automation level stretches from fully automated to manual.

The company history goes back to the 1940s and began working in close cooperation with the first prefabricating house producers. Today leading house producers in 38 countries are using Randek machines and system.

CUT SAWS

High quality and well tested saws with different automation levels. Also specialized saws for custom applications.



WALL-, ROOF- AND FLOOR LINES

Complete product program for manufacturing of walls, floors and roofs. From manual to fully automatic systems.



ROOF TRUSS SYSTEMS

Adapted equipment for rational manufacturing of roof trusses. From traditional systems to fully automatic.



BUTTERFLY TABLES

Flexible and well tested butterfly tables. Simple or advanced with a wide range of options.



SPECIALIZED MACHINERY

Customized machinery developed for specific applications, Automatic stucco machine, Beam insulating machine, Roof board machine and Window frame machine.



SERVICES

A wide range of services such as Factory Layout designs, Machine maintenance, House building systems and Financing.

